

DATA SHEET

battery fuse protection

with magnetic-hydraulic circuit breakers

enwitec-Article-No.	10015453
Customer-Article-No.	
Designation	Bat Breaker-BYD_LVLPR-9xAcc-3xCharg_KS_exsf
Application	Battery fuse "Bat Breaker" for the energy storage system BYD „Battery-Box Premium LVL“
Number and type of battery charger/inverter:	Max. 3x Sunny Island
Number and type of energy storage:	Max. 9x BYD Battery-Box Premium LVL
General note:	<p>- If the battery protection is used for other systems, the suitability of the circuit breaker used (nominal value, tripping characteristic) is not guaranteed! In this case, consult the system manufacturer and/or the manufacturer of the battery charger/inverter.</p> <p>- Cable lugs are not included</p>

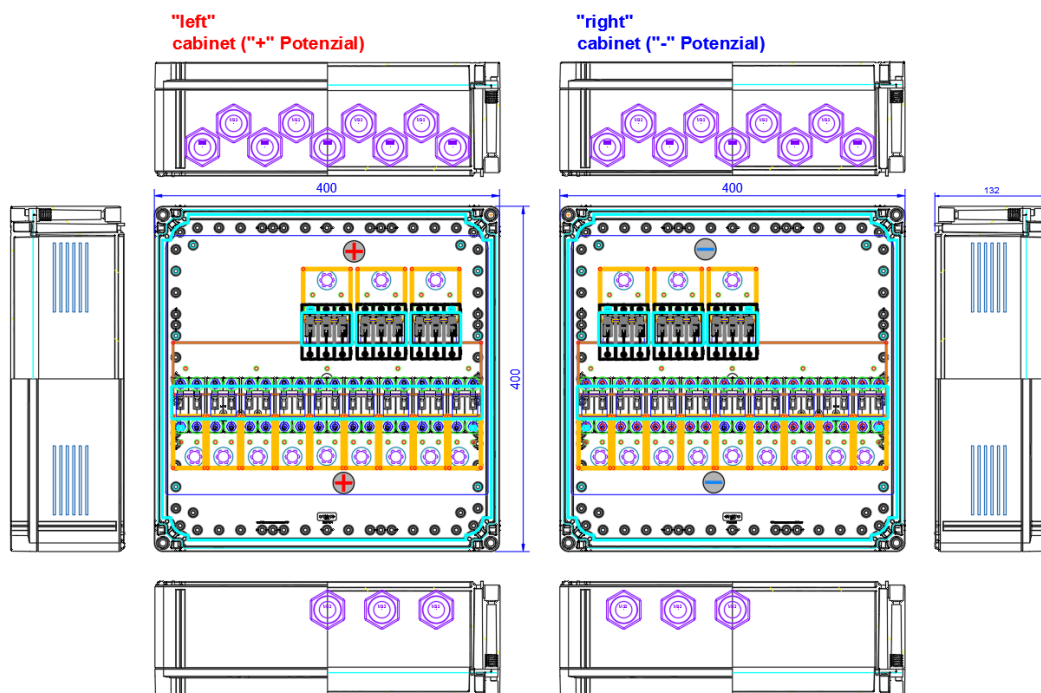
Min. Distances:

Up and down min. :
300 mm

Left and right min. :
200 mm

To Front min.:
800 mm

Cable clamping:
Must be done on site!



Scope of delivery			
designation	Article-No.	Piece	Comment
General installation manual	10015558	1	
Pflitsch cable gland M32x1.5	10011807	24	
Locknut M32x1.5	10000724	24	
Twisting Sleeve M32x1.5	10008835	4	

DATA SHEET

battery fuse protection with magnetic-hydraulic circuit breakers

• applicable / - not applicable

TECHNICAL SPECIFICATIONS

Rated voltage	[VDC]	60
Rated current/peak current	[A]	Compatible with BYD Battery-Box Premium LVL
Rated current circuit breaker for charger	[A]	250 A per potential
Tripping characteristic circuit breaker for charger		„DC long delay“
Rated current circuit breaker for battery	[A]	250 A per Potential
Tripping characteristic circuit breaker for battery		„DC long delay“
Switchable max. short circuit current	[kA]	10

Connection of the batteries (outlet at the bottom)

Number of possible batteries (parallel)		9
Cable entries		
Cable glands (EN 62444)		M32
Clamping range (from-to)	[Ømm]	15 – 25
Connectors		
Conductor Material		Cu
Cable length maximum	[m]	Observe the manufacturer's instructions
"+" Potential / "-" Potential		+PLUS -MINUS
Screws for cable lugs		M10 M10
Type of cable lug/max. conductor cross section	[mm ²]	Narrow tube cable lug/ 95 mm ²
Feeder terminals	[mm ²]	- -
Stripping length	[mm]	- -
Torque	[Nm]	23 - 28

Connection of the battery chargers/inverters (outlet at the top)

Number of battery chargers/Inverters		3
Cable entries		
Cable gland (EN 50262)		M32
Clamping range (from-to)	[Ømm]	15 – 25
Connectors		
Conductor material		Cu
Cable length maximum	[m]	Observe the manufacturer's instructions
"+" Potential / "-" Potential		+PLUS -MINUS
Screws for cable lugs		M10 M10
Type of cable lug/max. conductor cross section	[mm ²]	Narrow tube cable lug/ 95 mm ²
Feeder terminals	[mm ²]	- -
Stripping length	[mm]	- -
Torque	[Nm]	23 - 28

General informations

Number of cabinets for 1 unit		2
Dimensions of one cabinet (WxHxD) (without cable glands)	[mm]	400x400x132
Weight	[kg]	Approx. 19
Operating temperature range	[°C]	0..+45
Temperature - Transport/Storage	[°C]	-25..+55 (24 hours 70°C)
Humidity - condensing allowed	• / -	-
Humidity - permissible range	[%]	85
Max. Installation altitude above N.N.	[M]	2000
Protection class IP (EN 60529)		31
Outdoor suitability (protected area)	•/-	-
Special notes:		-only indoor -protected against vertically dripping water
Protection class (EN 61140)		II
Cabinet material		Polycarbonate
RoHS-conformity (2011/65/EU)		•
Cabinet color		Lower part similar to RAL7035
Cover		Transparent
Mounting		Wall mounting
Locking system		Screw lock

Miscellaneous

Customs number		85371098
Spare Parts		Article-No.