

**YOUR SPECIALIST FOR  
CONNECTION TECHNOLOGIES  
IN RENEWABLE ENERGIES**



 Table of contents

<b>Introduction</b>	<b>4 - 5</b>
<b>PV connection technology</b>	<b>6 - 19</b>
Generator junction boxes	6 - 9
DC emergency switch (fireman's switch)	10 - 11
AC distributor	12 - 13
Mains and system protection	14 - 19
<b>Connection technology for energy storage systems</b>	<b>20 - 25</b>
Mains switch boxes ready for connection	20 - 23
BAT Breaker battery fuses for energy storage systems	24 - 25
<b>LinQ Europe</b>	
<b>Introduction</b>	<b>26</b>
<b>Products and services</b>	<b>26</b>
<b>Production</b>	<b>27</b>
<b>E-mobility</b>	<b>28 - 31</b>



 enwitec electronic GmbH  
Your specialist for connection technology  
in renewable energies

We combine durability with our passion for the latest technologies. Proven suppliers and our many years of experience guarantee a long service life and operational reliability.

Thanks to decades of experience and its proximity to the market, enwitec is an important and valued partner for its customers.

Our high quality and constant innovation characterise a maximum product and service portfolio.

This enables us to offer you a wide range of professional connection technology on the DC and AC side for small and large PV projects. We will also fulfil your individual requirements.

We offer you customised and tailor-made solutions for a wide variety of projects, which we plan with the future in mind and implement efficiently. And all this from a single source - made in Germany & Poland.



**New Product**  
Available from Q1/2025

## GENERATOR TERMINAL BOX

Protection by GAKs with integrated lightning and surge protection

Protect your PV system and prevent costly overvoltage damage and failures with our GAKs. The ready-to-connect system solution is available for 1 MPPT up to 12 MPPT applications and can be used for common inverter types in residential or small commercial buildings.

### Ready-to-connect and pre-tested solutions for collecting the individual string cables (DC) in PV systems



- Suitable for every type of system from 100 V up to 1,500 V DC
- With overvoltage protection types: Type 2 or 1/2
- Fuse protection + and - pole
- Polycarbonate housing with transparent screw cap or
- Polyester housing with grey hinged door and double-bit lock
- All GAKs in dust and water-protected housings (IP65)
- Fast installation and commissioning thanks to pre-assembly
- Short-term creation of customised solutions
- Standardised switchgear and controlgear assembly thanks to the application of DIN EN 61439
- Optional:
  - DC load-break switch
  - Terminals Al/Cu
  - String monitoring



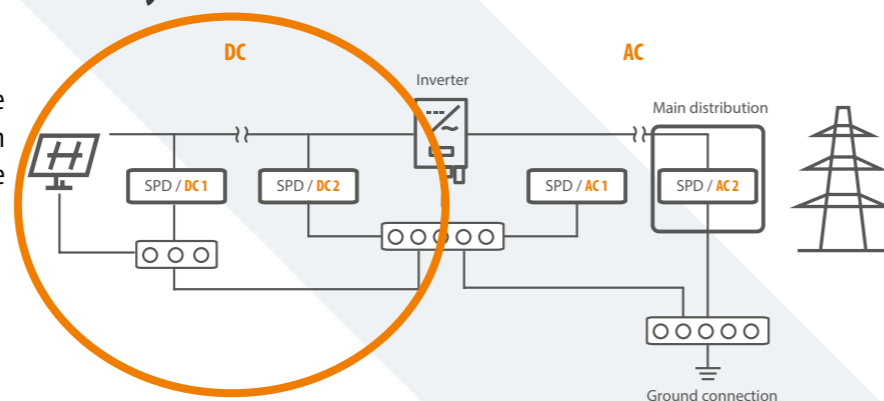
Scan me for more information:

### Determine the right surge protection for you

Answer the questions in the table below to determine which surge protection is required for your installation on the DC side. You can find out more about the AC side from page 12.

The chart illustrates:

(DC1) at the entry of the PV cables into the building, (DC2) on or in the inverter (DC side).



external lightning protection system available?	Separation distance complied with?	Cable length larger than 10 metres?	SPD / DC 1	SPD / DC 2
no	-	yes	TYPE 2 DC	TYPE 2 DC
no	-	no	-	TYPE 2 DC
yes	yes	yes	TYPE 2 DC	TYPE 2 DC
yes	yes	no	-	TYPE 2 DC
yes	no	yes	TYPE 1 DC	TYPE 1 DC
yes	no	no	-	TYPE 1 DC

## SOLARCONNECT 1500

Maximum flexibility for your PV projects

The enwitec SolarConnect 1500 is a highly flexible PV generator connection box that has been specially developed for large PV projects with central inverters. With a system voltage of up to 1,500 V DC and string current monitoring via Modbus, it offers maximum safety and efficiency. The robust, GRP-reinforced polyester enclosure is suitable for indoor and outdoor applications and can be mounted on the wall, on the ground or with recessed bases as required.

Our PV generator junction box offers maximum flexibility and reliability for large PV projects. With integrated string current monitoring and a remote-controlled load-break switch, it ensures optimum safety and efficiency.

- Input for max. 24 strings; 1,500 V DC system voltage
- Current per line: max. 25 A
- Optional remote-controlled load-break switch for max. 630 A!
- Housing GRP-reinforced polyester
- Alternative wall mounting, floor mounting, recessed base
- Protection class up to IP65
- Protection class II standard (protective insulation)
- String current monitoring with Modbus interface
- Integrated overvoltage protection type 1/2
- Optional PV string connections with connectors (e.g. MC4)
- Array cable connections: Copper or aluminium cables possible



**The combination of high flexibility, robust design and precise string current monitoring. Specially optimised for central inverters with only one MPP tracking system.**



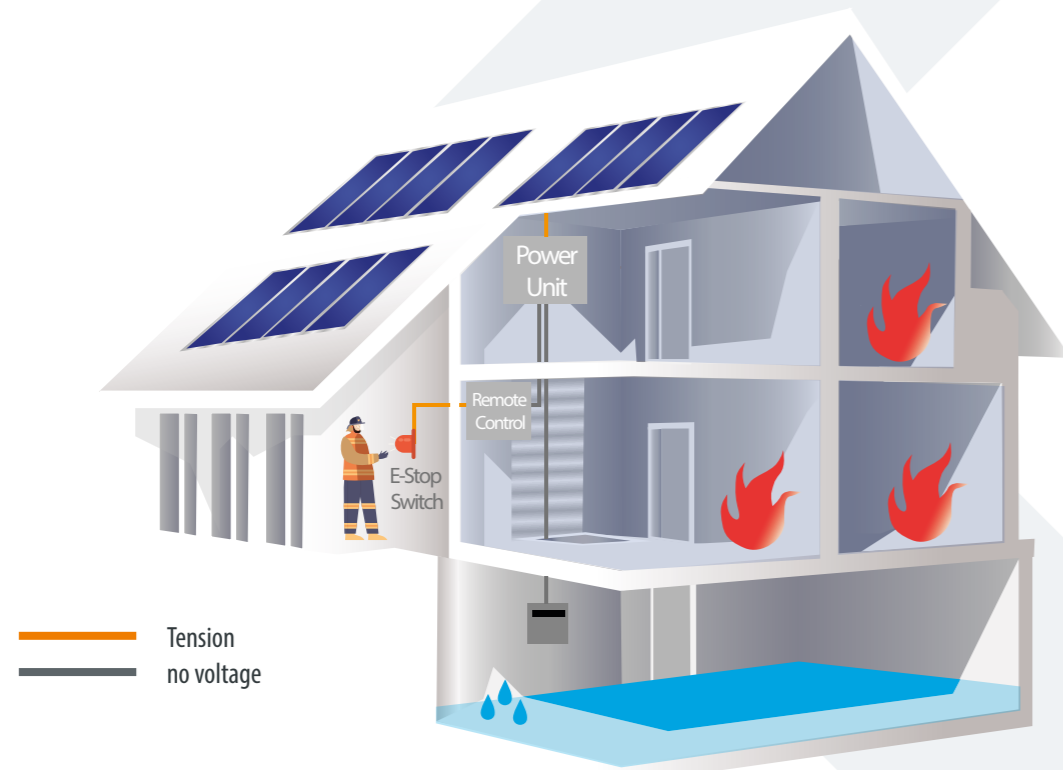
## ◇ FIRE BRIGADE SWITCH

Intelligent safety solution for reliably de-energising DC cables in buildings.

enwitec offers an intelligent safety solution in the form of PV firefighting switches that reliably de-energise the cables in the building. This minimises the danger to firefighters. The PV firefighting switches are located either immediately after the roof entry or, in the case of an installation in a protected outdoor area, directly on the PV generator and de-energise the lines into the building in the event of requirements or automatically in conjunction with an existing fire alarm system.

Public buildings, industrial buildings and warehouses in particular are subject to increased safety requirements. enwitec combines conventional connection technology for PV systems with a motorised disconnecter and thus offers individual and freely scalable solutions up to the megawatt range. This can be used to de-energise the DC cables installed in the building.

The main advantage of the system with AC-coupled disconnection is that in the event of a fire, for example, it is no longer necessary to search for a switch or it is no longer accessible. When the AC grid is switched off, the DC lines from the switch box on the roof are also automatically disconnected. If the AC grid is reconnected, the system also automatically goes back into operation.

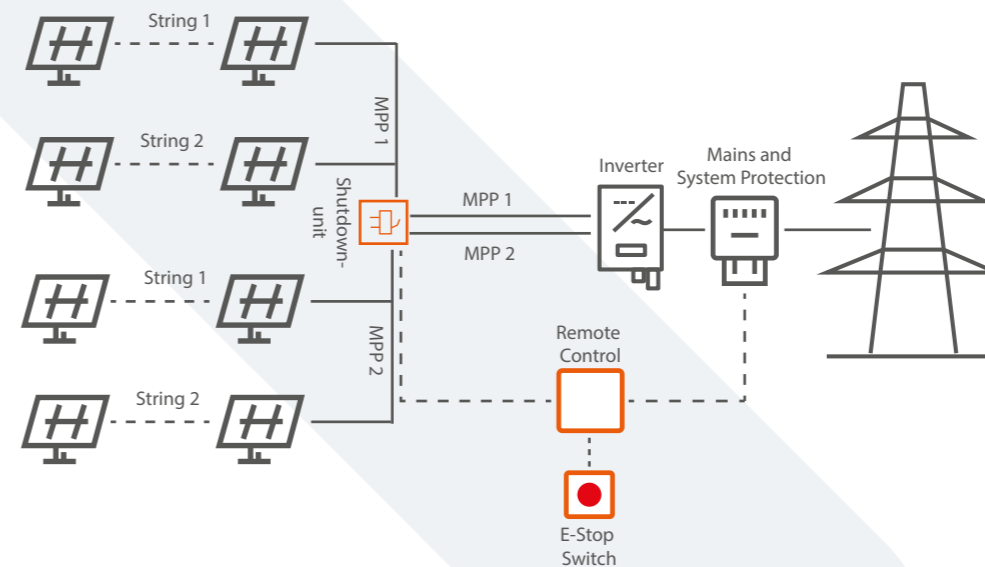


### Our advantages:

- AC-coupled safety circuit
- Simple installation
- Manual switch-off also possible
- Easy to retrofit, manufacturer-independent
- Suitable for fire alarm systems
- Optional: key switch can be connected
- With integrated overvoltage protection
- Arc-free switching thanks to modern switching technology
- Fast installation and commissioning thanks to pre-assembly the fire brigade switch
- Short-term creation of customised solutions
- Fittings already included in the scope of delivery
- Standardised switchgear and controlgear assembly thanks to the application of DIN EN 61439

## ◇ COMBINATION OF CONVENTIONAL CONNECTION TECHNOLOGY | FOR PV SYSTEMS WITH A SPECIAL DISCONNECTOR

### Schematic representation



### Shutdown unit (fireman's switch):

MPP	Article no.	Matchcode	ovp
1 MPP	10012191	Santon-1000-2R-T32-X-PES-1.0	-
	10012192	Santon-1000-2R-T32-Y-PES-1.0	Type 2
	10012193	Santon-1000-2R-T32-BC-PES-1.0	Type 1/2
2 MPP	10012215	Santon-1000-2x2R-T50-X-PES-1.0	-
	10012216	Santon-1000-2x2R-T50-Y-PES-1.0	Type 2
	10012217	Santon-1000-2x2R-T50-BC-PES-1.0	Type 1/2
3 MPP	10014112	Santon-3x2R-T50-X-PES-1.0	-
	10014114	Santon-3x2R-T50-BC-PES-1.0	Type 1/2
	10012233	Santon-1000-4x2R-T50-X-PES-1.0	-
4 MPP	10012235	Santon-1000-4x2R-T50-BC-PES-1.0	Type 1/2
	10013565	Santon-1000-6x2R-T50-X-PES-1.0	-
	10015289	Santon-1000-6x2R-T50-Y-PES-1.0	Type 2
6 MPP	10014008	Santon-1000-6x2R-T50-BC-PES-1.0	Type 1/2
	10015733	Santon-1000-8x2R-T50-X-PES-1.0	-
	10016826	Santon-1000-8x2R-T50-BC-PES-1.0	Type 1/2
10 MPP	10015656	Santon-1000-10x2R-T50-X-PES-1.0	-
	10014856	Santon-1000-10x2R-T50-BC-PES-1.1	Type 1/2
	10016739	Santon-1000-12x2R-T50-X-PES-1.0	-
12 MPP	10019159	Santon-1000-12x2R-T50-BC-PES-1.0	Type 1/2

1.000 V  
16 A  
per String

### E-Stop Switch & Remote Control

Quantity	Article no.	Matchcode
	10012955	Legrand safety box E-Stop-Switch surface-mounted
1 Shutdown	10012949	santon-remote control-1-R
	10018660	santon-remote control-1-R+
2 Shutdown	10012950	santon-remote control-2-R
	10018661	santon-remote control-2-R+
4 Shutdown	10012951	santon-remote control-4-R
	10018662	santon-remote control-4-R+
6 Shutdown	10012952	santon-remote control-6-R
	10018592	santon-remote control-6-R+
8 Shutdown	10012953	santon-remote control-8-R
	10018658	santon-remote control-8-R+
10 Shutdown	10018659	santon-remote control-10-R+



Scan me for more information:

## AC DISTRIBUTOR

The AC distributors are the link between the inverter and the grid connection.

AC distributors collect single-phase or multi-phase inverter strings, which minimises the amount of cabling required. This can save a considerable amount of time during installation.

By using AC distribution boards, individual parts of the system can be protected or disconnected for maintenance and repair work without taking the entire PV system out of operation. In addition, versions with overvoltage protection or residual current circuit breakers protect the PV system against overvoltage couplings and excessive currents.

Enwitec's modular concept offers a high degree of flexibility to adapt our standard products to individual customer requirements.

### YOUR ADVANTAGES:

- Protection against overvoltage on the AC side
- Reduce the wiring effort
- Easy way to measure the system during maintenance or in the event of an error
- Simple merging of several string inverters
- Integration of data logger possible



### OPTIONS:

- Overvoltage protection
- NH switch-disconnectors/automatic circuit breakers
- Mains forms (TN-C, TN-S...)
- Country-specific incl. RCD if applicable
- Air conditioning/heating
- Wall or plinth mounting

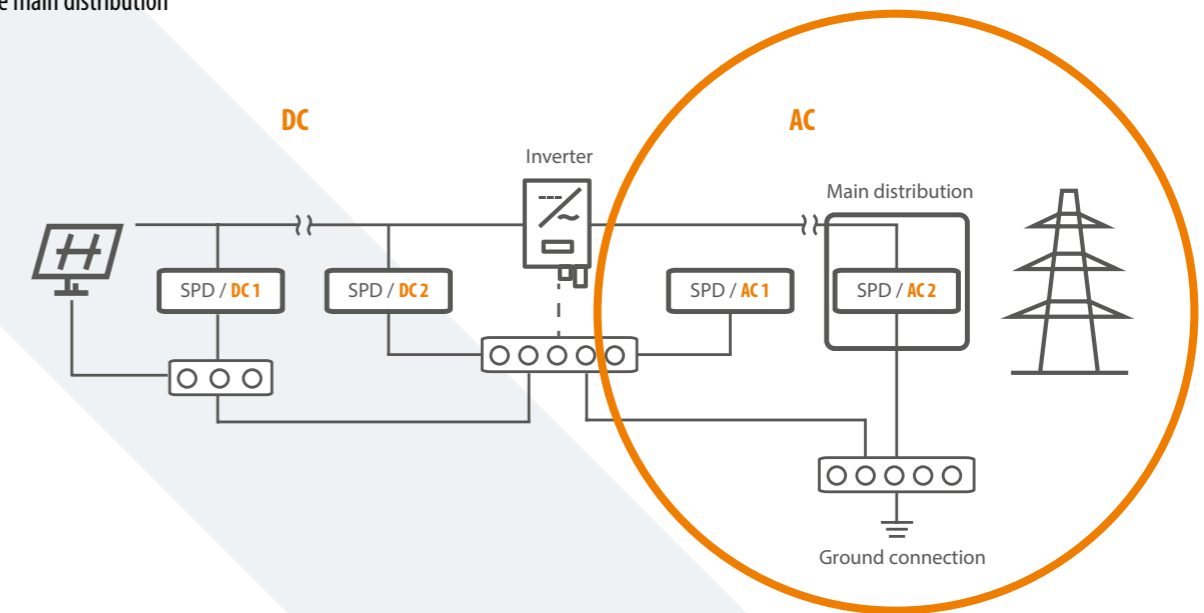
Scan me for more information:



Answer the questions in the table below to determine which overvoltage protection on the AC side is required for your installation. The diagram illustrates:

(AC1) on or in the inverter

(AC2) in the main distribution



external lightning protection system available?	Separation distance complied with?	Cable length larger than 10 metres?	SPD / AC 1	SPD / AC 2
no	-	yes	TYPE 2 AC	TYPE 2 AC
no	-	no	-	TYPE 2 AC
yes	yes	yes	TYPE 2 DC	TYPE 2 DC
yes	no	yes	TYPE 1 AC	TYPE 1 AC
yes	no	no	-	TYPE 1 AC

Article no.	Matchcode	Net shape	Mains voltage	Number Inverters	overvoltage protection	Fuse type
10015678	3AC-400-TNC-1-NH00-X-X-W-PES-V-1.0	TNC	400 VDC	1	-	NH00
10015392	3AC-400-TNC-2-NH00-X-X-W-PES-V-1.0	TNC	400 VDC	2	-	NH00
10015606	3AC-400-TNC-3-NH00-X-X-W-PES-V-1.0	TNC	400 VDC	3	-	NH00
10015518	3AC-400-TNC-4-NH00-X-X-W-PES-V-1.0	TNC	400 VDC	4	-	NH00
10015916	3AC-400-TNC-4-NH00-X-X-W-PES-V-1.0.1	TNC	400 VDC	4	-	NH00
10015918	3AC-400-TNC-6-NH00-X-X-W-PES-V-1.0.1	TNC	400 VDC	6	-	NH00
10015380	3AC-400-TNS-2-NH000-X-X-PES-1.0	TN-S	400 VDC	2	-	NH000
10015385	3AC-400-TNS-3-NH000-X-BC-PES-1.0	TN-S	400 VDC	3	Type 1/2	NH000
10015381	3AC-400-TNS-3-NH000-X-X-PES-1.0	TN-S	400 VDC	3	-	NH000
10015383	3AC-400-TNS-5-NH000-X-BC-PES-1.0	TN-S	400 VDC	5	Type 1/2	NH000

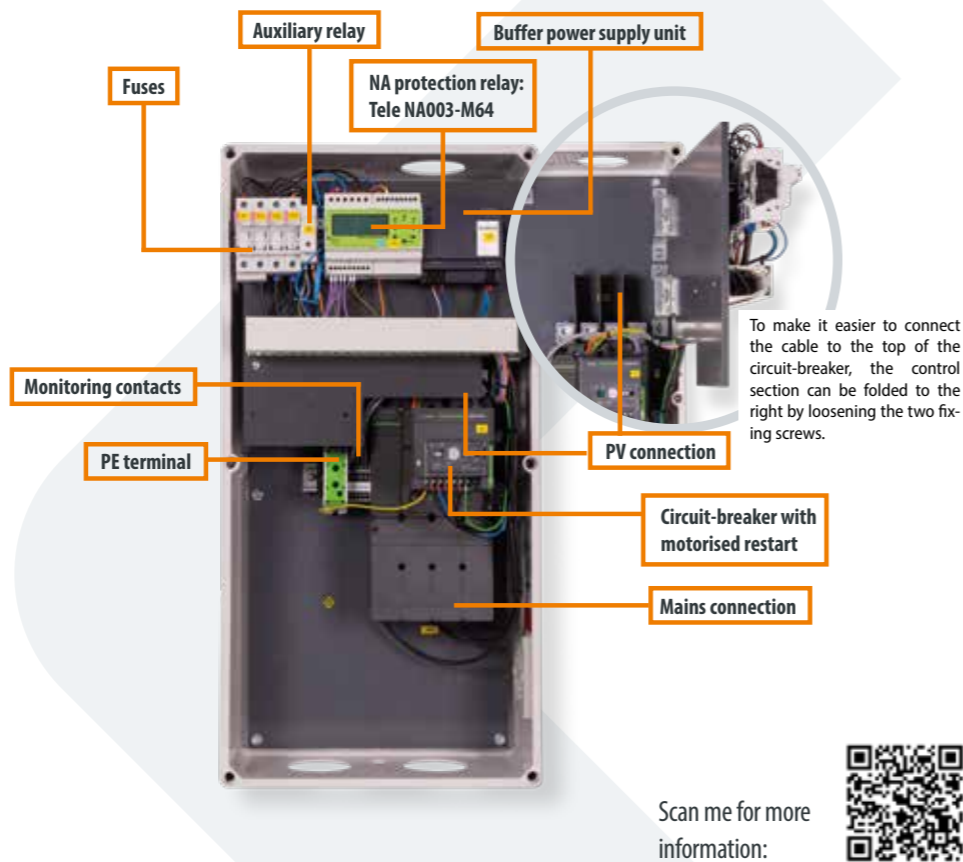
Further articles on request.

## NA PROTECTION

Compliance with voltage and frequency limits, as well as disconnection of island grids

The task of grid and system protection is to maintain voltage and frequency limits in the electricity grid, for which the grid operator is responsible. It intervenes in the event of a grid fault and disconnects the photovoltaic system from the public low-voltage grid. Our new variants now also enable direct coupling with the fire brigade switch in order to optimally protect the system in emergencies.

- Variants with integrated AC distributor for direct inverter connection!
- Main busbars directly clampable up to and including 172.5 KVA variant (no cable lug required)
- Project-dependent flexibility with the new 276 KVA variants
  - Installation of current transformers possible (transducer lugs 30 x 10mm)
  - Variant with simple direct cable lug connections
  - Variant with 2 x NH02 switch disconnecter at the input
  - Variant with 3 x NH01 switch disconnecter at the output
  - Variant - can be freely equipped with NH switch disconnectors (available as an accessory) - or direct cable lug connection



## OUR SOLUTIONS: Grid-compliant connection of your power generation systems

- A device for the local and international market
- Easy handling for service personnel and commissioning engineers
- Preconfigured parameter sets for different countries in Europe and worldwide
- Customised solutions thanks to a wide range of configuration options realisable



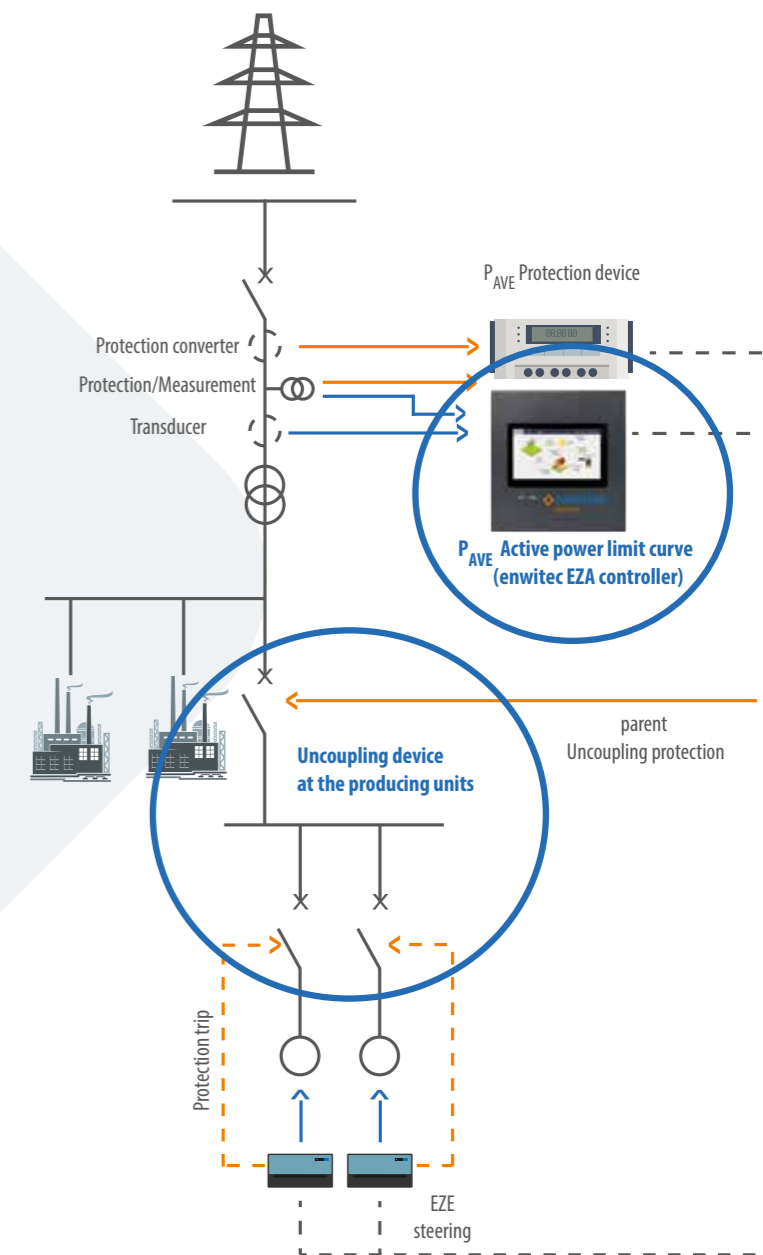
## POWERCONTROL 500

Certified control and telecontrol technology for PV systems - efficient, safe and cost-effective.

The enwitec PowerControl 500 is the ideal solution for controlling PV systems in the C&I and utility market. It fulfils the latest VDE guidelines and offers comprehensive control functions, including telecontrol technology in accordance with IEC 101/104, direct marketing interface via VPN and commissioning via remote maintenance. With its robust design and project-specific customisation, the enwitec PowerControl 500 is the perfect choice for installers and EPCs.

### ONE PARKING CONTROLLER FOR ALL REQUIRED FUNCTIONS:

- Telecontrol technology according to IEC 101/104 or analogue technology
- Direct marketing interface
- Energy management: Wallboxes
- All common inverters via Modbus TCP or RS485
- Over 30 grid operators with their data points integrated (in Germany and Austria)
- Master/slave system (e.g. industry with inverters on several halls)
- Commissioning via remote maintenance (request test, system acceptance)



**In addition, enwitec offers an optional Service package including remote maintenance!**



## POWERSHIELD 500

- Compliance with voltage and frequency limits, as well as disconnection of island grids

The enwitec PowerShield 500 is the ideal solution for the grid and system protection of PV systems with a total output of up to 500 kW. It fulfils the latest VDE guidelines and offers comprehensive protection functions, including grid protection relays, test disconnect terminals in accordance with specifications of the grid operator, communication connection and tie switch. With enclosure options for indoor and outdoor applications and project-specific customisation, the enwitec PowerShield 500 is the perfect choice for installers and EPCs.



**New Product**  
Available from Q1/2025

## POWERSHIELD PRO 1100

- Certified control and telecontrol technology for PV systems - efficient, safe and cost-effective.

The enwitec PowerShield Pro 1100 is the ideal solution for the grid and system protection of PV systems with a total output of up to 1.1 MW. It fulfils the latest VDE directives and offers comprehensive protection functions, including grid protection relays, test disconnect terminals, communication connection and tie switch. With enclosure options for indoor and outdoor applications and project-specific customisation, the enwitec PowerShield Pro 1100 is the perfect choice for installers and EPCs.



**New Product**  
Available from Q1/2025

### OUR SOLUTIONS: Grid-compliant connection of your power generation systems

- One series - individually customisable for specific projects
- Incl. DC scheme and "Commissioning + remote maintenance" service
- Preconfigured parameter sets for different countries in Europe and worldwide
- Component certificates in accordance with the Low Voltage and Medium Voltage Directive

### OUR SOLUTIONS: Grid-compliant connection of your power generation systems

- One series - individually customisable for specific projects
- Incl. DC scheme and "Commissioning + remote maintenance" service
- Preconfigured parameter sets for different countries in Europe and worldwide
- Component certificates in accordance with the Low Voltage and Medium Voltage Directive

Article no.	Matchcode	Net shape	Performance	Country release	Country standard	Testdisconnect terminalstrip	Cable entries
10016127	feed-guard-NE7-PV-100KVA-TNS_TT_1.0	TT / TN-S	100 kVA	CH	NA/EEA-NE7 - CH2020	no	Cable grommet M75
10016128	feed-guard-NE7-PV-173KVA-TNS_TT_1.0	TT / TN-S	173 kVA	CH	NA/EEA-NE7 - CH2020	no	Cable grommet M75
10016124	feed-guard-NE7-PV-41,4KVA-TNS_TT_1.0	TT / TN-S	41.4 kVA	CH	NA/EEA-NE7 - CH2020	no	Cable grommet M50
10016125	feed-guard-NE7-PV-55,2KVA-TNS_TT_1.0	TT / TN-S	55.2 kVA	CH	NA/EEA-NE7 - CH2020	no	Cable grommet M63
10016126	feed-guard-NE7-PV-72,5KVA-TNS_TT_1.0	TT / TN-S	72.5 kVA	CH	NA/EEA-NE7 - CH2020	no	Cable grommet M63
10018522	NA-Schutz-NA4105-PV172.5KVA-TNS_TT	TT / TN-S	172.5 kVA	D	VDE-AR-N 4105:2018-11	no	Cable grommet M75
10018716	NA-Schutz-NA4105-PV-2x86.3KVA-TNS_TT_1.0	TT / TN-S	2 x 86.3 kVA	D	VDE-AR-N 4105:2018-11	no	Cable grommet M63
10014339	NA-Schutz-NA4105-PV-3x43.5KVA-TNS_TT_1.0	TT / TN-S	3 x 43.5 kVA	D	VDE-AR-N 4105:2018-11	no	Cable grommet M50
10018521	NA-Schutz-NA4105-PV86.3KVA-TNS_TT	TT / TN-S	86.3 kVA	D	VDE-AR-N 4105:2018-11	no	Cable grommet M63
10018566	NA-Schutz-PV-172.5KVA-NH-TNS_TT	TT / TN-S	172.5 kVA	D, A	VDE-AR-N 4105:2018-11 ÖVE TOR R25 NS ASYNC	yes	Cable grommet M75/ Cable glands
10018567	NA-Schutz-PV-276KVA-TNS_TT_1.0	TT / TN-S	276 kVA	D, A	VDE-AR-N 4105:2018-11 ÖVE TOR R25 NS ASYNC	yes	Cable grommet M75
10018565	NA-Schutz-PV-86.3KVA-NH-TNS_TT_1.0	TT / TN-S	86.3 kVA	D, A	VDE-AR-N 4105:2018-11 ÖVE TOR R25 NS ASYNC	yes	Cable grommet M75/ Cable glands
10018545	NA-Schutz-PV-276KVA-NH-CT-TNS_TT_1.0	TT / TN-S	276 kVA	D, A	VDE-AR-N 4105:2018-11 ÖVE TOR R25 NS ASYNC	yes	Cable grommet M75
10018524	NA-Schutz-TOR-PV-172.5KVA-TNS_TT_1.0	TT / TN-S	172.5 kVA	A	ÖVE TOR R25 NS ASYNC	yes	Cable grommet M75
10018523	NA-Schutz-TOR-PV-86.3KVA-TNS_TT	TT / TN-S	86.3 kVA	A	ÖVE TOR R25 NS ASYNC	yes	Cable grommet M63
10018546	NA-Schutz-PV-276KVA-CT-TNS_TT_1.0	TT / TN-S	276 kVA	D, A	VDE-AR-N 4105:2018-11 ÖVE TOR R25 NS ASYNC	yes	Undrilled! Drill holes on request



Housing processing	Art. No.: 10018618		Art. No.: 10018618	Art. No.: 10018618
Current transformer	.		On request	On request
type 2 surge protection with NH00 isolator	.		Art. No.: 10018625	Art. No.: 10018625
overvoltage protection type 1/2 with NH00 isolator	.		Art. No.: 10018624	Art. No.: 10018624
NH2 separator	.		already 2 x on Mains page available	Art. No.: 10018623
NH1 isolator	.		already 3 x on PV page available	Art. No.: 10018622
2 x NH00 isolators	.			Art. No.: 10018621
4 x NH000 isolators	.			Art. No.: 10018620
Buried base	Art. No.: 10017721		Art. No.: 10018616	Art. No.: 10018616
Short base	Art. No.: 10017723		Art. No.: 10018617	Art. No.: 10018617
Wall bracket	in the scope of delivery		not possible	not possible

Machining, but without components z. E.g. screw connections

Direct connection to a copper rail or installation of a fuse-switch disconnecter is possible here. Optionally, a maximum of 2 of these components can be connected to mains and 3 on the PV side (same or mixed).

**New Product**  
Available from Q1/2025

## MAINS SWITCH BOXES

### Reliable backup power supply

The backup power system safely disconnects the connected PV system and load distribution from the public grid in the event of a grid failure and simultaneously provides the customer with a backup power supply.

Thanks to the ready-to-connect and pre-tested systems from enwitec, installers no longer have to undertake the time-consuming and cost-intensive process of installing the changeover unit themselves, nor do they have to take on their own warranty.



enwitec supplies the only solutions available on the market that are officially approved and recognised by Fronius, KOSTAL, LG and SMA will be listed. Further manufacturers in preparation.



## BACKUP MASTER EU

### Simple installation, full backup power!

The enwitec full-backup switch box is the ideal solution for anyone who needs a reliable and safe power supply in off-grid operation. With its universal applicability for all off-grid capable battery/hybrid inverters with two AC outputs ("GRID" and "BACKUP") and the integrated current monitoring, it offers maximum safety and flexibility. All load circuits can be supplied in full backup mode without the need for complex modifications to the load distribution system. The ease of installation and use make it the perfect choice for PV and electrical wholesalers as well as end users in the EU.



## FULL BACKUP SWITCH BOX

- **Universal applicability:** Compatible with all off-grid capable battery and hybrid inverters with two three-phase AC connections
- **Complete backup functionality:** All load circuits can be supplied in the event of a backup, without complex consumer distribution
- **Integrated current monitoring:** Prevents overload and protects the inverter
- **Maximum safety and reliability:** Our mains switch box offers all-pole mains disconnection and a customisable current monitoring that prevents overloading and increases the service life of the inverter
- **Simple installation and use:** No complex modification of the consumer distribution system required, all circuits are available in island mode
- **Compatibility and flexibility:** Can be used universally for all common battery and hybrid inverters

Article no.	Matchcode	Inverter	Country release	Max. thermal feed-through line	Separation
10014304	1PH_FRO_BBDAP_12KW_1PH_1.1_IT	Fronius Primo Gen24 Plus (3.0/3.6/4.0/4.6/5.0/6.0)	IT	12 kW	all-pole
10013676	1PH_SMA.SI_BBDAP_12KW_1PH_PREP_FR_1.0	SMA Sunny Island 4.0/6.0/8.0	FR	12 kW	all-pole
10013687	1PH_SMA_1ST6_V_X_BBDAP_18.5KW_1PH_PREP_UK_1.0	SMA Sunny Island 4.0/6.0/8.0	UK	18.5 kW	all-pole
10017485	3PH_FRO_BBD3P_20KW_3PH_1.0	Fronius Symo GEN24 6.0 Plus/8.0 Plus/10.0 Plus	D	20 kW	three-pole
10016181	3PH_FRO_BBD3P_20KW_3PH_FRT	Fronius Symo GEN24 6.0 Plus/8.0 Plus/10.0 Plus	A	20 kW	three-pole
10015613	3PH_FRO_BBDAP_20KW_3PH	Fronius Symo GEN24 6.0 Plus/8.0 Plus/10.0 Plus	D, CH	20 kW	all-pole
10014305	3PH_FRO_BBDAP_20KW_3PH_1.1_IT	Fronius Symo GEN24 6.0 Plus/8.0 Plus/10.0 Plus	IT	20 kW	all-pole
10017349	3PH_FRO_BBDAP_20KW_3PH_FRT	Fronius Symo GEN24 6.0 Plus/8.0 Plus/10.0 Plus	A	20 kW	all-pole
10016114	3PH_FRO_BBDAP_20KW_3PH_SPL_1.0	Fronius Symo GEN24 6.0 Plus/8.0 Plus/10.0 Plus	D, CH	20 kW	all-pole
10015842	3PH_FRO_BBDAP_30KW_3PH_SPL_1.0_IT	Fronius Symo GEN24 6.0 Plus/8.0 Plus/10.0 Plus	IT	30 kW	all-pole
10016289	3PH_FRO_MTS-3P-3PH_FRT_1.0	Fronius Symo GEN24 6.0 Plus/8.0 Plus/10.0 Plus	D, A	35 kW	three-pole
10016117	3PH_FRO_MTS-AP-3PH_FRT_1.0	Fronius Symo GEN24 6.0 Plus/8.0 Plus/10.0 Plus	D-A-CH	35 kW	all-pole
10012549	3PH_IPC_SMA.SI_BBDAP_20KW_1PH_PREP_DACH_1.1	SMA Sunny Island 4.0/6.0/8.0	D, CH	20 kW	all-pole
10013728	3PH_IPC_SMA.SI_BBDAP_20KW_1PH_PREP_FR_1.0	SMA Sunny Island 4.0/6.0/8.0	FR	20 kW	all-pole
10016022	3PH_LG_BBD3P_20KW_3PH_FRT_1.0	LG ESS Home 8 and Home 10	A	20 kW	three-pole
10013677	3PH_LG_BBDAP_20KW_3PH_1.1	LG ESS Home 8 and Home 10	D-A-CH	20 kW	all-pole
10017468	3PH_KOSTAL_BBD3(A)P_63A_DE-CH	Kostal Plenticore G3	D, CH	35 kW	all- three-pole
10017469	3PH_KOSTAL_BBD3(A)P_63A_FRT_AUT_1.0	Kostal Plenticore G3	A	35 kW	all- three-pole
10017517	3PH_SMA.SI_BBDAP_35KW_3PH_PREP_AUT_1.0	SMA Sunny Island 4.0/6.0/8.0	A	35 kW	all-pole
10013549	3PH_SMA.SI_BBDAP_100KVA_3PH_INT.HM_DACH_1.0	SMA Sunny Island 4.0/6.0/8.0	D, CH	100 kW	all-pole
10013762	3PH_SMA.SI_BBDAP_125KVA_3PH_INT.HM_DACH_1.0	SMA Sunny Island 4.0/6.0/8.0	D, CH	125 kW	all-pole
10014230	3PH_SMA.SI_BBDAP_150KVA_3PH_INT.HM_DACH_1.0	SMA Sunny Island 4.0/6.0/8.0	D, CH	150 kW	all-pole
10012569	3PH_SMA.SI_BBDAP_35KW_3PH_PREP_DACH_1.1	SMA Sunny Island 4.0/6.0/8.0	D, CH	35 kW	all-pole

Article no.	Matchcode	Inverter	Country release	Max. thermal feed-through line	Separation
10013729	3PH_SMA.SI_BBDAP_35KW_3PH_PREP_FR_1.0	SMA Sunny Island 4.0/6.0/8.0	FR	35 kW	all-pole
10013546	3PH_SMA.SI_BBDAP_40KW_3PH_INT.HM_DACH_1.0	SMA Sunny Island 4.0/6.0/8.0	D, CH	40 kW	all-pole
10013092	3PH_SMA.SI_BBDAP_48KW_3PH_PREP_UK_1.2	SMA Sunny Island 4.0/6.0/8.0	UK	48 kW	all-pole
10013547	3PH_SMA.SI_BBDAP_55KW_3PH_INT.HM_DACH_1.0	SMA Sunny Island 4.0/6.0/8.0	D, CH	55 kW	all-pole
10013548	3PH_SMA.SI_BBDAP_72.5KW_3PH_INT.HM_DACH_1.0	SMA Sunny Island 4.0/6.0/8.0	D, CH	72.5 kW	all-pole
10016510	3PH-ATNU-30KW-63A-3PH-DE-1.1	Mains genset switchover in accordance with VDN guideline "Emergency power gensets"	D	35 kW	all-pole



Article no.	Matchcode	Inverter	Country release	Max. thermal through conduit	Separation
10011457	3PH_Bypass_Netzersatz_34.5KW_max.63A_1.0	Mains changeover switch "Emergency power generators" according to VDN guideline	D-A-CH		all-pole
10017652	Ventilation set AK Spelsberg enclosure	for mains switch box items 10015613, 10017485, 10017349, 10016181			
10010813	SK Legrand fan 30.5mm (036579)				

Further articles on request.

# BATTERY FUSE

## Protection for battery systems

The "BAT BREAKER" series of battery fuses was developed to protect mobile and stationary battery storage systems of various technologies (lead, lithium, etc.) against overcurrent and short circuits. The specially matched nominal values of the circuit breakers used offer optimum reliability and safety.

In contrast to the previously available battery protection, the enwitec BAT Breaker can be operated without protective equipment, which is particularly important as most energy storage systems are installed in private households.



- External, cost-effective DC fuse and distribution
- Simple wall mounting
- Simple activation/deactivation
- Compact design
- Quick installation and commissioning
- Simple parallel connection of several battery towers
- Fuse protection for positive and negative pole

Scan me for more information:



Article no.	Matchcode	Number Inverters	Number of batteries	Tension	Rated current inverter	Rated current battery
10011034	BAT BREAKER -BIG 200-	3	3	75 V	200 A	-
10011143	BAT BREAKER -BIG 200VT-	3	3	75 V	200 A	-
10011141	BAT BREAKER -BIG 250-	3	3	75 V	250 A	-
10011144	BAT BREAKER -BIG 250VT-	3	3	75 V	250 A	-
10011033	BAT BREAKER -SLIM 200-	1	2	75 V	200 A	-
10011139	BAT BREAKER -SLIM 250-	1	2	75 V	250 A	-
10015859	BAT BREAKER-3xAccu_1xCharger_600VDC_HVS_HVM_1.0	1	3	600 V	32 A	32 A
10015451	BAT BREAKER-BYD_LVLP_3xAcc_3xCharg_KS_exsf	3	3	60 V	250 A	250 A
10015647	BAT BREAKER-BYD_LVLP_4xAcc_3xCharg_KS_exsf	3	3	60 V	250 A	250 A
10015452	BAT BREAKER-BYD_LVLP_6xAcc-3xCharg_KS	3	6	60 V	250 A	250 A
10015453	BAT BREAKER-BYD_LVLP_9xAcc-3xCharg_KS	3	9	60 V	250 A	250 A
10011587	BAT BREAKER-Spec.BMZ-EU -2x Accu -1x Charger	1	2	75 V	200 A	-
10011687	BAT BREAKER-Spec.BMZ-EU -3x Accu -1x Charger	1	3	75 V	200 A	-
10011585	BAT BREAKER-Spec.BMZ-EU -3x Accu -3x Charger	3	3	75 V	200 A	-
10011583	BAT BREAKER-Spec.BMZ-EU -6x Accu -3x Charger	3	6	75 V	200 A	150 A
10012388	BAT BREAKER-Spec.BMZ-EU -9x Accu -3x Charger	3	9	75 V	200 A	150 A
10012814	BAT BREAKER-Spec.BYD-10xAccu-3x Charger_ex safe_KS	3	10	75 V	200 A	200 A
10012808	BAT BREAKER-Spec.BYD-1xAccu-1x Charger_standard_KS	1	1	75 V	200 A	-
10012810	BAT BREAKER-Spec.BYD-3xAccu-1x Charger_ex safe_KS	1	3	75 V	200 A	200 A
10012459	BAT BREAKER-Spec.BYD-3xAccu-1x Charger_standard_KL	1	3	75 V	200 A	-
10012809	BAT BREAKER-Spec.BYD-3xAccu-1x Charger_standard_KS	1	3	75 V	200 A	-
10012582	BAT BREAKER-Spec.BYD-3xAccu-3x Charger_ex-safe_KS	3	3	75 V	200 A	200 A
10012417	BAT BREAKER-Spec.BYD-3xAccu-3x Charger_standard_KS	3	3	75 V	200 A	-
10012453	BAT BREAKER-Spec.BYD-4xAccu-3x Charger_ex safe_KS	3	9	60 V	250 A	250 A
10012460	BAT BREAKER-Spec.BYD-5xAccu-3x Charger_ex safe_KL	3	5	75 V	200 A	200 A
10012575	BAT BREAKER-Spec.BYD-5xAccu-3x Charger_ex safe_KS	3	5	75 V	200 A	200 A
10012811	BAT BREAKER-Spec.BYD-6xAccu-3x Charger_ex safe_KS	3	6	75 V	200 A	200 A
10012812	BAT BREAKER-Spec.BYD-8xAccu-3x Charger_ex safe_KS	3	8	75 V	200 A	200 A
10012813	BAT BREAKER-Spec.BYD-9xAccu-3x Charger_ex safe_KS	3	9	75 V	200 A	200 A
10015462	enwitec BAT FUSE B-01 W	2/1	2	48 V	-	-
10015463	enwitec BAT FUSE B-03 W	4/3	1	48 V	-	-

LinQ Europe, based in Złocieniec, Poland, was founded in 2012 as a supplier of electrical equipment for manufacturers of service lifts for the wind sector. The expertise has been continuously expanded over the years. Today, LinQ is also known as a renowned manufacturer of electrical control cabinets and electromechanical assemblies. LinQ Europe reliably serves the markets in Europe, America and the Far East and is a valued partner in the industry thanks to its flexibility and adaptability.



## OUR PRODUCTS & SERVICES FOR

### Wind sector and industrial utilisation:

- Development of electrical control systems for use in the wind industry (e.g. safety interlock, UL application)
- Development and assembly of conductor-guided and cable-guided electrical applications
- Electrical enclosures: High-quality enclosures for controlling and monitoring wind turbines
- Electromechanical assemblies: Precisely manufactured assemblies for reliable performance
- Engineering and design: Development and implementation of customised solutions for specific customer requirements
- Project support: Comprehensive support from planning through to series production to ensure that projects are completed on time and within budget

## OUR MANUFACTURING OPTIONS:

- Series production of electronic devices for various markets - with a strong focus on e-mobility and the wind industry.
- The company is certified according to the ISO 9001:2015 standard - certification of design and production process.
- Employees who are certified according to the IPC/WHMA-A-620 production standard uL production certification possible on request
- Knowledge of and approach to lean manufacturing:
  - Stand-up meetings
  - KAIZEN programme
  - Poka-yoke solutions
  - Gemba walk
  - Transparent KPI monitoring
  - Kanban production approach
  - monitoring the process flow
  - 8D reports, PFMEA and diff. Tools for daily use



## PREPARE YOUR CAR PARK FOR THE FUTURE



LinQ Europe offers high-quality DC charging stations that enable customers to charge electric vehicles quickly, safely and easily. LinQ Europe stands for years of experience in the electrical industry in various sectors.

We now utilise our experience in the production of DC charging stations and offer uncompromising quality, confirmed by certificates, tests and recommendations.

Our team consists of highly qualified engineers who develop professional solutions that meet the expectations of our customers.

### Efficient and fast charging:

**A maximum of 30 minutes if the conditions are right!**

By choosing the highest power, you can offer your customers fast charging in just 30 minutes, with suitable external conditions (e.g. temperature) and vehicle technology.

### Wide temperature range

The LQ series works reliably in a wide temperature range, from -25° C to +50° C. This ensures safe and reliable operation in all weather conditions.

### Perfect communication

The use of an open standard - use of the corresponding OCPP protocol - enables interoperability with the charging services offered by leading European companies.

### Security is the basis for trust.

**We take care of both**

The LQ series fulfils all requirements and standards: overcurrent protection, overvoltage protection, short-circuit protection, residual current protection, phase failure protection, insulation monitoring, earth fault protection.

### Easy to use: Details for improving customer satisfaction.

The standard version includes a 5 metre cable with a guide arm and a start/stop system with RFID technology or a mobile app.

They are therefore extremely simple and easy to use.

### Fast return on investment

By setting your own rates and taking advantage of cross-selling opportunities, you can optimise your revenue and achieve a fast ROI.

## THE LQ SERIES IS TAILORED TO THE NEEDS OF YOUR COMPANY.



### Scalability: The modular design allows the charging station's performance to be customised

The modular design allows flexible power scaling by installing additional 40 kW modules in the device, which enables higher power and shorter charging times. It is very cost-efficient - you don't have to order a new device, just convert it. The power range extends from 40 kW to 240 kW.

### Customisation

Customisable charging stations:

- Attach your own logo,
- Colour changes,
- Setting the lighting.

This is not only an additional advertising space, but also an excellent opportunity to integrate the LQ into the brand and business world.

Promote charging stations in your marketing material to capitalise on the booming electric car market and expand your customer base.

## EXPAND YOUR DEVICE WITH THE FOLLOWING ACCESSORIES:

- Version 2 - 2 DC plugs
- Version 3 - 2 DC plugs + 1 AC plug
- Version 4 - 1 DC plug + 1 AC plug
- Payment terminal, CE-approved
- DC-MID meter (DC current measurement)
- Backlight with halo effect
- On request - without touchscreen



## COST-EFFECTIVE AND COMPACT WQ SERIES 40 - 80 KW

### Scalability in the 40 - 80 KW range

You can order the 80 kW option immediately or start with the basic power and scale up by adding power modules (40 kW each).

### Security is the basis for trust. Both are important to us

The WQ series fulfils all requirements and standards:

- overcurrent protection,
- overvoltage protection,
- Short-circuit protection,
- residual current protection,
- Undervoltage protection,
- Insulation monitoring,
- Earth fault protection

### User-friendly: details that improve the customer experience

The standard version includes a 5 metre cable and a start/stop system with RFID or a mobile app. This makes operation incredibly simple and trouble-free.

### Perfect communication

The use of an open standard - use of the corresponding OCPP protocol - enables interoperability with the charging services offered by leading European companies.

### Customisation

The standard for this series is the wall-mounted version with cable management options.

However, you can also change the appearance at a later date in order to adapt it to the presence and topicality of your company at all times. Personalise your station according to your ideas:

Side panels, top and even the type of lighting. Order with your logo, choose the ideal lighting style.

### Quick return on investment

By setting your own rates and taking advantage of cross-selling opportunities, you can optimise your revenue and achieve a fast ROI.



## CHOOSE OUR CHARGING STATION WITH A UNBEATABLE PRICE-PERFORMANCE RATIO

### Variants with a high standard

- Scalable modular output from WQ40 to WQ80 (+40 kW module)
- 10" touchscreen
- Standard length of the charging cable: 5 metres
- Compatible with almost every European platform
- Sleep mode in inactive state
- Future-proof design up to 1000 V

### Improve your device with the following options

- Payment terminal, CE-approved
- Mounting base in concrete or metal
- MID direct current meter (calibration law)

## OUR DEDICATED ENGINEERING TEAM WILL ALWAYS ACTIVELY SUPPORT YOU!

So don't hesitate to contact us if you have any further requirements or requests for your charging station!





**engineering within innovative technology**

**enwitec electronic GmbH**

Scherrwies 2 | 84329 Wurmansquick | Phone.: +49 8725 9664-0 | Mail: [info@enwitec.eu](mailto:info@enwitec.eu)

---