

Art.Nr. 10019335

SWITCHOVER BOX | POWER Backup 63 VERTO PLUS EU

enwitec electronic GmbH
 Scherrwies 2 | 84329 Wurmanssquick
 Mail info@enwitec.eu
www.enwitec.eu

Type designation	POWER Backup 63 VERTO PLUS EU
Application	For the Fronius Verto Plus 'Full Backup' system
Region	EU 25 (except Germany and Italy)
Mains disconnection	Allpole or three-pole disconnection (initially configurable using jumpers)
Net shape	3PH 230/400V - TN-C/TN-S or TT networks; NO TN-C network in the customer system!
Hybrid-inverter	VERTO PLUS 15.0/17.5/20.0/25.0/30.0/33.3
Control & monitoring	Fronius Smart Meter TS65A-3 - 'Touchscreen' is integrated

All values in [mm]

Dimensions

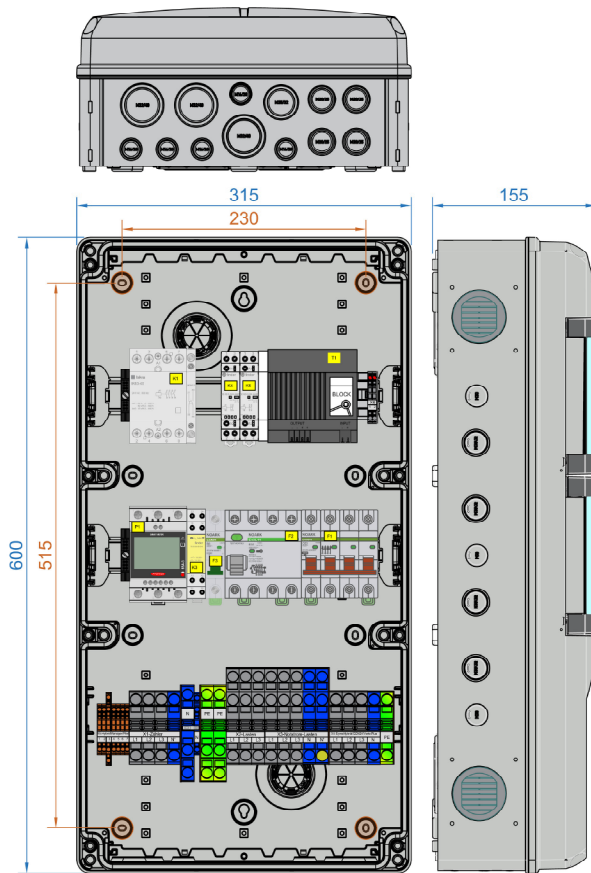
Fastening points

„blue“
 „orange“

Inner construction as well as choice of components may differ within the variants!

Minimum distances

top	200
bottom	200
lateral	200
front	800



SCOPE OF DELIVERY

Quantity	Designation	Quantity	Designation
1	Switchover box	1	Fronius emergency power sticker
3	Cable gland M40 incl. locknut	1	Operating instructions Fronius Smart Meter
1	Cable gland M32 incl. locknut	1	Operating Instructions Power supply unit
2	Cable gland M20 incl. locknut	1	Installation instructions
1 Set	Jumpers (for mains isolation configuration)	1	Circuit diagram DIN A3
1	Warning label „dangerous voltage“	1 Set	Cover caps for fastening screws

Status: March 2025

10019335_datasheet_Power Backup 63 Verto Plus EU_2.0_2025_03_06

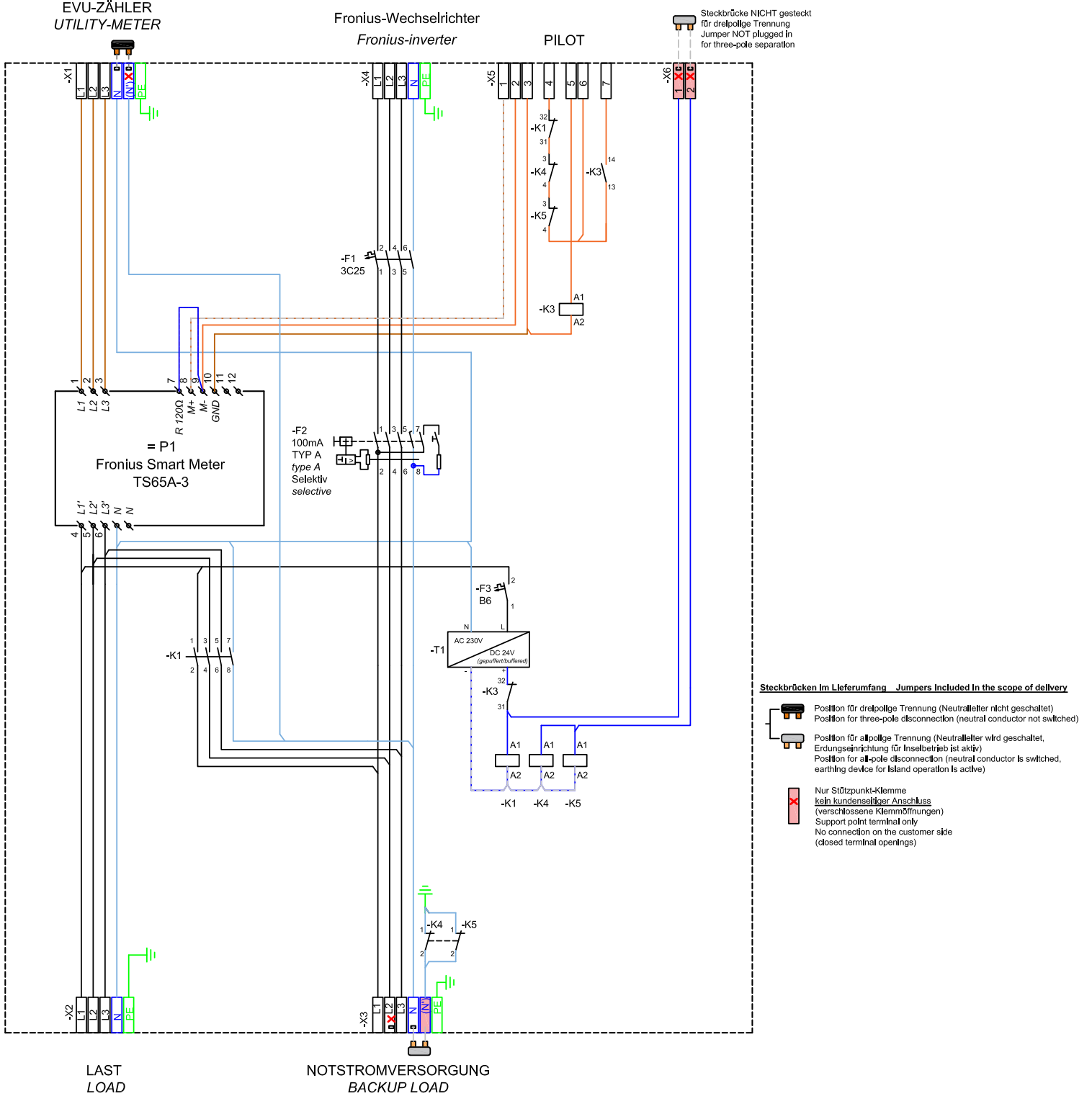
The text and illustrations correspond to the technical status at the time of printing, subject to change without notice. Despite careful editing, all information is without guarantee. Liability is excluded. ©enwitec electronic GmbH

Art.Nr. 10019335

SWITCHOVER BOX | POWER Backup 63 VERTO PLUS EU

enwitec electronic GmbH
 Scherrwies 2 | 84329 Wurmansquick
 Mail info@enwitec.eu
 www.enwitec.eu

INTERNAL WIRING

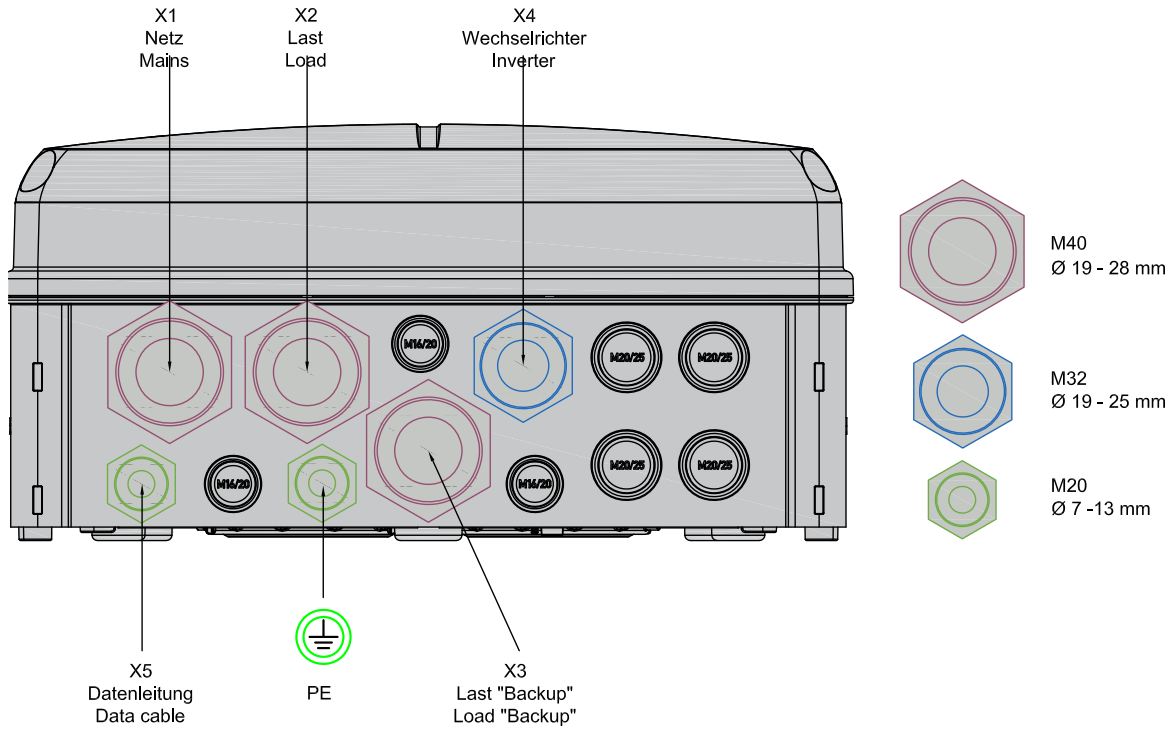


Art.Nr. 10019335

SWITCHOVER BOX | POWER Backup 63 VERTO PLUS EU

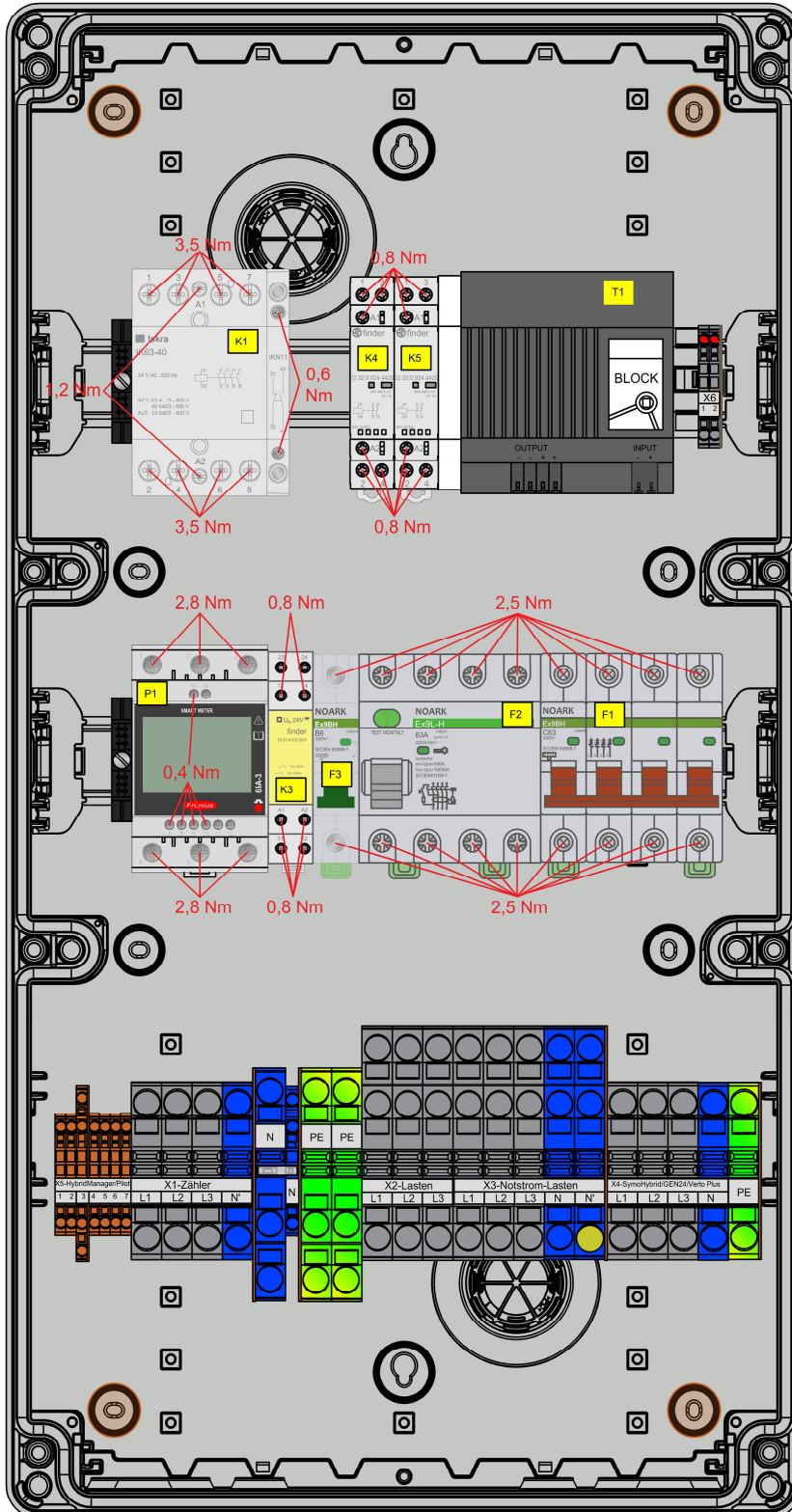
enwitec electronic GmbH
 Scherrwies 2 | 84329 Wurmansquick
 Mail info@enwitec.eu
www.enwitec.eu

CABLE ENTRY



Cable gland	Terminal block	Clamping range [mm]	Wire type	Cross section [mm ²]	Stripping length [mm]
M40	X1 - Mains	19 - 28	solid	16	18 - 20
			fine stranded	25	
			fine stranded + wire end ferrule	16	
M40	X2 - Load	19 - 28	solid	16	18 - 20
			fine stranded	25	
			fine stranded + wire end ferrule	16	
M40	X3 - Load „Backup“	19 - 28	solid	16	18 - 20
			fine stranded	25	
			fine stranded + wire end ferrule	16	
M32	X4 - Fronius inverter	19 - 25	solid	16	18 - 20
			fine stranded	25	
			fine stranded + wire end ferrule	16	
M20	X5 - Data cable	7 - 13	solid	2,5	9 - 11
			fine stranded	2,5	
			fine stranded + wire end ferrule	1,5	
M20	PE - Potential equalisation	7 - 13	solid	16	18 - 20
			fine stranded	25	
			fine stranded + wire end ferrule	16	

TORQUES



Art.Nr. 10019335

SWITCHOVER BOX | POWER Backup 63 VERTO PLUS EU

enwitec electronic GmbH
 Scherrwies 2 | 84329 Wurmanssquick
 Mail info@enwitec.eu
www.enwitec.eu

GENERAL DATA

NOMINAL VALUES			• applicable / - not applicable
Rated voltage		[V]	3PH - 230/400
Rated insulation voltage		[V]	400
Operating frequency		[Hz]	50/ + /-5 %
Max. prospective* short circuit current		[kA]	10
Permitted grid structure			TN-C/S/TT/TN-S
Grid disconnection			allpole or three-pole
Max. grid-side backup fuse		[A]	63
Max. thermal throughput power	ta = 40°C	[kW]	35
Standby-loss, ca.		[W]	16

CIRCUIT BREAKERS AND RESIDUAL CURRENT CIRCUIT BREAKERS

F1	Verto Plus	MCB[A]	4C63
F2	Verto Plus	RCD[A]	Type A - selectively, 63/0,1
F3	Mains' control circuit	[A]	B6

CONTACTORS (IEC/EN 61095; IEC/EN60947-1; IEC 60947-5-1)

K1	Mains disconnection	AC1 [A]	63
K4/K5	Earthing device	AC1 [A]	25
K3	Communication	AC1 [A]	10
K1/K4/K5	Control voltage	[V]	24
F3	Control voltage	[V]	12
Humfree		•/-	•

FRT SUPPORT

Manufacturer			Fronius
Type		[VDC]	TS65A-3

* Is the maximum, unaffected continuous short-circuit current of the mains connection.





Art.Nr. 10019335

SWITCHOVER BOX | POWER Backup 63 VERTO PLUS EU

enwitec electronic GmbH
 Scherrwies 2 | 84329 Wurmanssquick
 Mail info@enwitec.eu
www.enwitec.eu

TECNICAL DATA

CONFIGURATION MAINS DISCONNECTION USING PLUG CONNECTORS (included in the scope of delivery) • applicable / - not applicable

THREE-POLE			
X1	inserted between N-N'	16(25) mm ²	
X6	not inserted	1,5(2,5) mm ²	
ALLPOLE			
X3	inserted between N-N'	16(25) mm ²	
X6	inserted between 1-2	1,5(2,5) mm ²	

GENERAL DATA

Dimensions W x H x D (without cable glands)	[mm]	315 x 600 x 155
Weight, ca.	[kg]	7,8
Operating temperature range t _a	[°C]	-5...+40
Temperature - transport/storage (24 h. 70°C)	[°C]	-25...+55
Humidity - condensing allowed	•/-	-
Humidity - permitted range	[%]	5...60
Max. altitude above sea level N.N.	[m]	2000
Protection class IP (EN 60529) t _a = 40°C	IP	31
outdoor-application permitted	•/-	-
Installation type		indoor
Protection against electric shock (EN 61140)		II
Case material		polycarbonate
RoHS-conformity (2011/65/EU)	•/-	•
Case colour		similar RAL 7035
Cover		transparent
Mounting method		wall mounting
Locking system		without tool

MISCELLANEOUS

Customs tariff number	85371098
-----------------------	----------