

Art.Nr. 10013548

BATTERY-BACKUP-DISTRIBUTION | 3PH_SMA.SI_BBDAP_72.5KW_3PH_INT.HM_DACH

enwitec electronic GmbH
 Scherrwies 2 | 84329 Wurmanssquick
 Mail info@enwitec.eu
www.enwitec.eu

Type designation	Battery-Backup-Distribution 3PH incl. SMA Home Manager 2.0
Application	Battery-Backup Function - SMA „Flexible Storage System“
Region	Germany, Austria, Switzerland
Battery-inverter	Sunny Island 4.4M-12 / -13 from firmware-version 1.00.xx.R Sunny Island 6.0H-12 / -13 from firmware-version 1.00.xx.R Sunny Island 8.0H-12 / -13 from firmware-version 1.00.xx.R
Home Manager	HM-20 from firmware-version 2.00.00.R
Net shape	TT or TN-S system Sunny Island feed in: 3 phase (=1 Cluster)

All values in [mm]

Dimensions

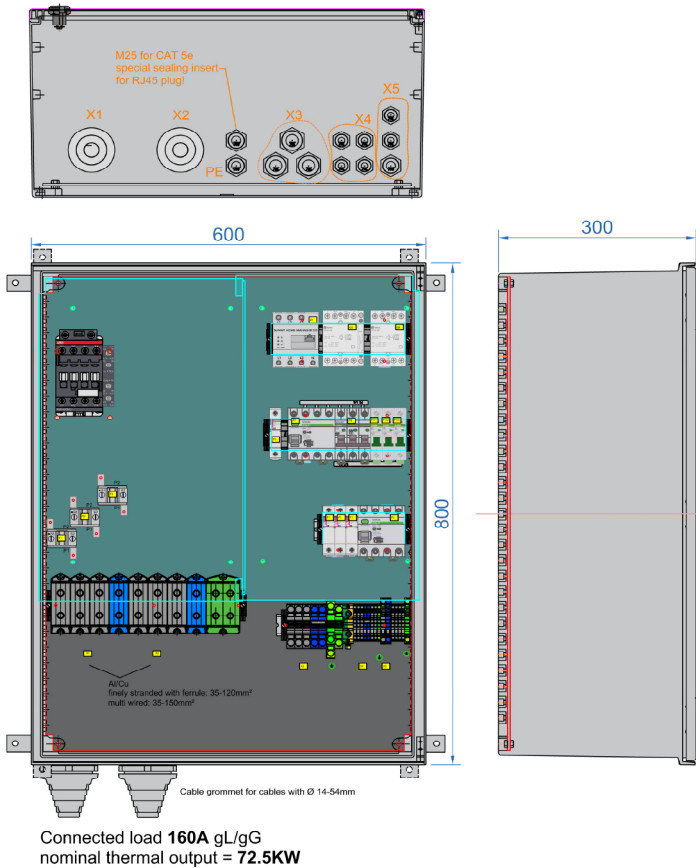
Fastening points

„blue“
 „orange“

Inner construction as well as choice of components may differ within the variants!

Minimum distances

top	200
bottom	400
lateral	200
front	1200



SCOPE OF DELIVERY

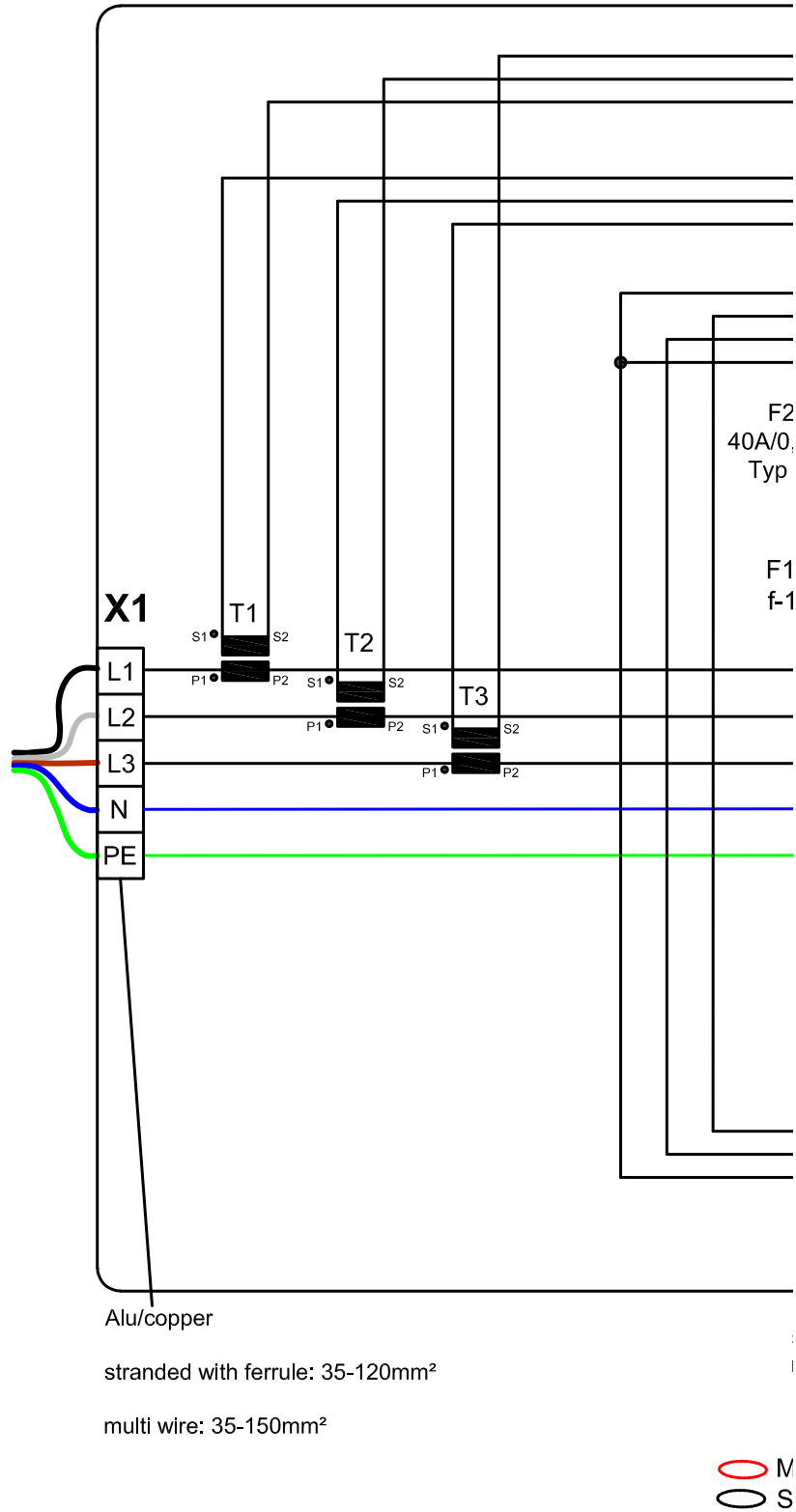
Quantity	Designation	Quantity	Designation
1	Installation instructions standard SMA-Sunny Island	3	Locknut M32
1	Bracket for wall mounting	3	Locknut M25
2	Cable entry M63	6	Locknut M20
3	Cable gland M32	1	Special sealing insert M25
3	Cable gland M25	1	Ferrule-fuse 10x38mm
6	Cable gland M20	1	Accessory pack SMA Home Manager

Status: September 2019

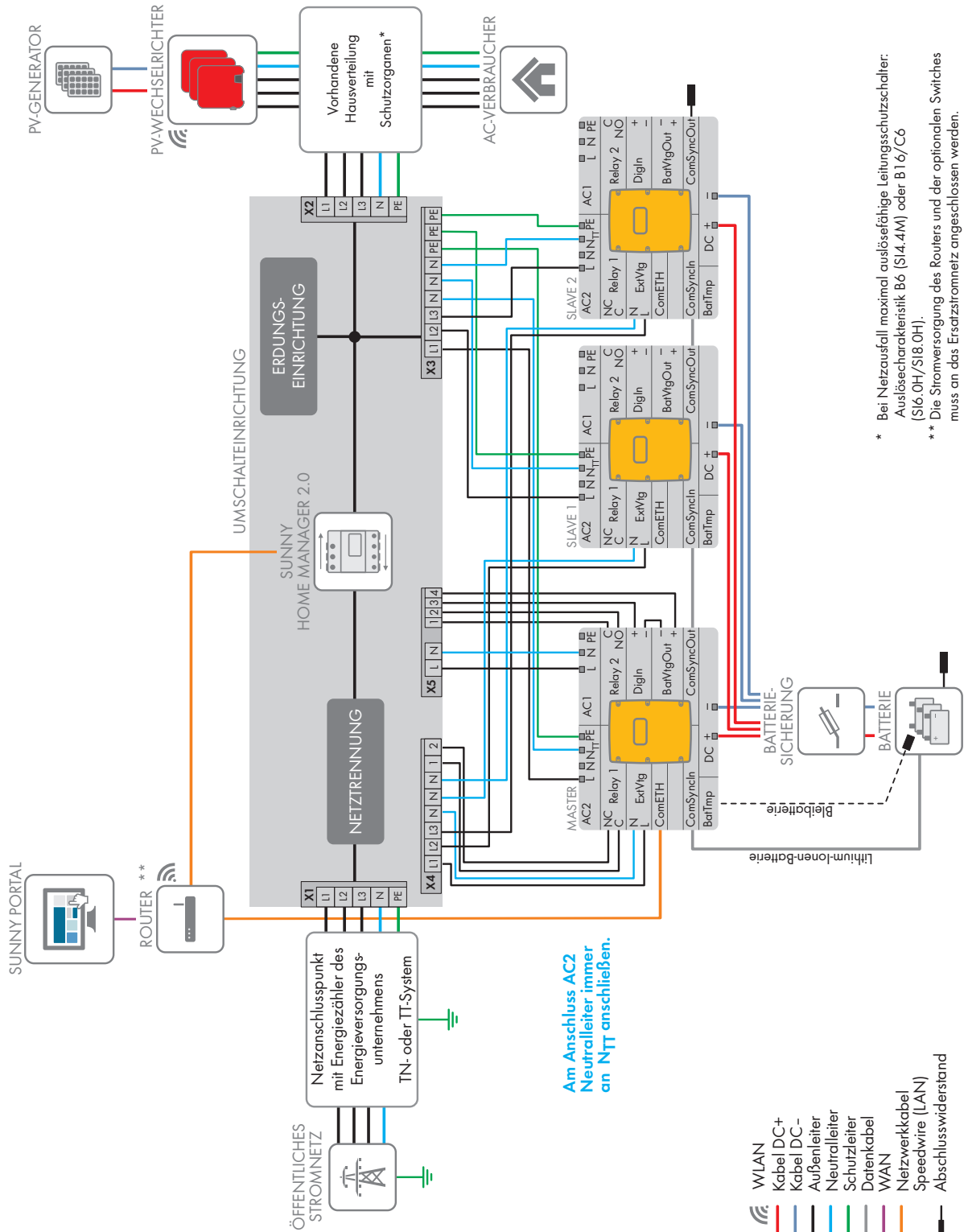
10013548_datasheet_3PH_SMA.SI_BBDAP_72.5KW_3PH_INT.HM_DACH_2024_01_10

The text and illustrations correspond to the technical status at the time of printing, subject to change without notice. Despite careful editing, all information is without guarantee. Liability is excluded. ©enwitec electronic GmbH

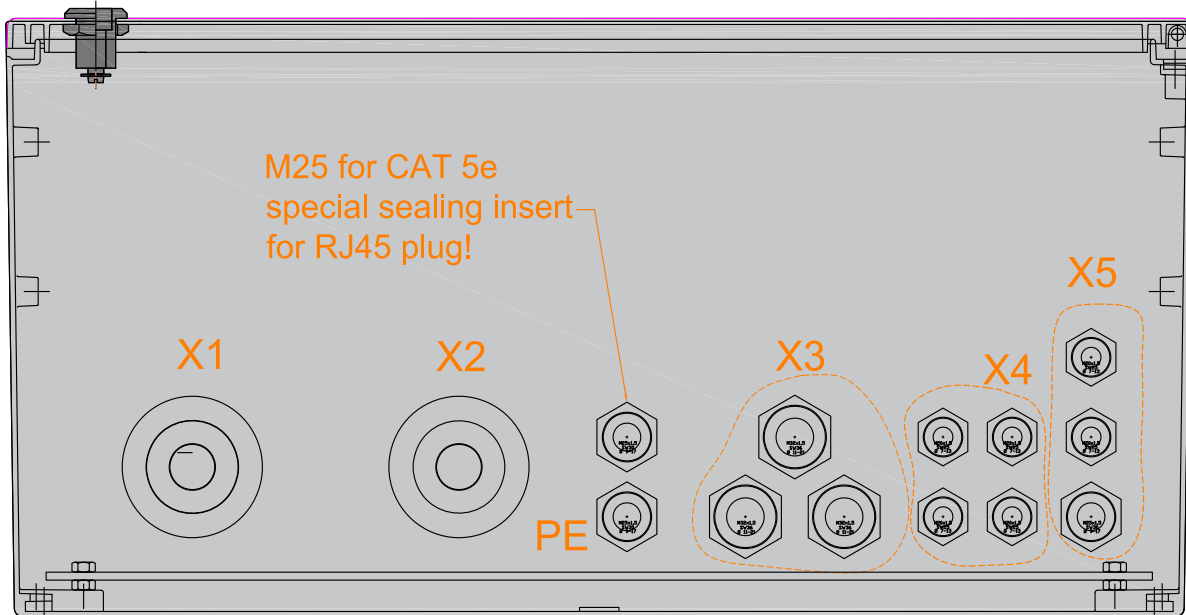
CIRCUIT DIAGRAM



ORIGINAL CIRCUITRY OVERVIEW SMA



CABLE ENTRY



Terminal block	Size (metrical)	Clamping range [mm]	Wire type	Cross section [mm ²]	Stripping length [mm]	Ferrule
X1, X2	Cable entry M63	14 - 54	stranded multi wired	120 150	24	✓ ✓
X1 - PE	M25	9 - 17	stranded multi wired	120 150	24	✓ ✓
X3	M32	13 - 21	solid stranded stranded	16 25 16	18 - 20	- - ✓
X4	M20	6 - 13	solid stranded stranded	2,5 2,5 2,5	8 - 9	- - ✓
X5 (L1/N/PE)	M25	9 - 17	solid stranded fstranded	10 10 6	13 - 15	- - ✓
X5 (1/2/3/4)	M20	6 - 13	solid stranded stranded	2,5 2,5 2,5	8 - 9	- - ✓

Art.Nr. 10013548

BATTERY-BACKUP-DISTRIBUTION | 3PH_SMA.SI_BBDAP_72.5KW_3PH_INT.HM_DACH

enwitec electronic GmbH
 Scherrwies 2 | 84329 Wurmanssquick
 Mail info@enwitec.eu
www.enwitec.eu

GENERAL DATA

NOMINAL VALUES (Grid connection)			• applicable / - not applicable
Rated insulation voltage AC	[V]		3PH - 230/400
Rated operating voltage	[V]		400
Operating frequency	[Hz]		50/60+/-5%
Max. prospective short circuit current	[kA]		10
Permitted grid structure			TT/TN-S
Max. value of pre-fuses	[A]		160
Max. thermal power	[kW]		72,5
Standby-loss, ca.	[W]		15

CIRCUIT BREAKERS AND FUSES

F1	Ferrule-fuse 10x38mm	[A]	1 - fast
F2	RCD (residual current protective device)	[A]	Type A / 40 - 0,03
F5	Ferrule-fuse 10x38mm	[A]	1 - fast
F6	MCB (circuit breaker)	[A]	C32
F7	RCD (residual current protective device)	[A]	Type A / 40 - 0,03

CONTACTORS (IEC/EN 61095; IEC/EN60947-1; IEC 60947-5-1)

Q2	Grid disconnection	AC1 [A] AC3 [A]	105 ($\leq 60^{\circ}\text{C}$) 80 ($\leq 60^{\circ}\text{C}$)
Q3	Grounding device I	AC1 [A]	40
Q4	Grounding device II	AC1 [A]	40
	Control voltage	[V]	230
	Hum-free	•/-	-

Art.Nr. 10013548

BATTERY-BACKUP-DISTRIBUTION | 3PH_SMA.SI_BBDAP_72.5KW_3PH_INT.HM_DACH

enwitec electronic GmbH
 Scherrwies 2 | 84329 Wurmanssquick
 Mail info@enwitec.eu
www.enwitec.eu

TECNICAL DATA

GENERAL DATA		• applicable / - not applicable
Dimensions WxHxD (without pedestal)	[mm]	600 x 800 x 300
Weight, ca.	[kg]	30
Operating temperature range	[°C]	-25...+40
Temperature - transport/storage (24 h. 70°C)	[°C]	-25...+55
Humidity - condensing allowed	•/-	-
Humidity - permitted range	[%]	5...95
Max. altitude above sea level N.N.	[m]	2000
Protection class IP (EN 60529)		65
outdoor-application permitted	•/-	-
Installation type		indoor area (ventilation valves!)
Protection against electric shock (EN 61140)		II
Case material		GFK
RoHS-conformity (2011/65/EU)	•/-	•
Case colour		similar RAL 7035
Cover		similar RAL 7035
Mounting method		wall mounting
Locking system		double-bit closure
MISCELLANEOUS		
Customs tariff number		85371098

Art.Nr. 10013548

BATTERY-BACKUP-DISTRIBUTION | 3PH_SMA.SI_BBDAP_72.5KW_3PH_INT.HM_DACH

enwitec electronic GmbH
Scherrwies 2 | 84329 Wurmanssquick
Mail info@enwitec.eu
www.enwitec.eu

EC DECLARATION OF CONFORMITY

The product, desogmatopm: **3PH_SMA.SI_BBDAP_72.5KW_3PH_INT.HM_DACH**

article number: **10013548**

manufacturer: **enwitec electronic GmbH
Scherrwies 2
84329 Rogglfing**

description: **Battery-Backup-Distribution SMA Flexible Storage System**

to which this declaration relates, is in conformity to the following standards or normative documents:

EN 61439-1	Low-voltage switchgear and controlgear assemblies
EN 61439-2	Power switchgear and controlgear assemblies
EN 61439-3	Installation distributor for non-professional operation

and is in accordance with the provisions of the following EC-directives:

Low-voltage directive 2014/35/EU
Restriction of Hazardous Substances Directive 2011/65/EU (RoHS)

Year of affixing CE-marking: **2020**
Date of issue: **02.07.2020**

enwitec electronic GmbH



Name / Signature

Johann Wimmer
CEO